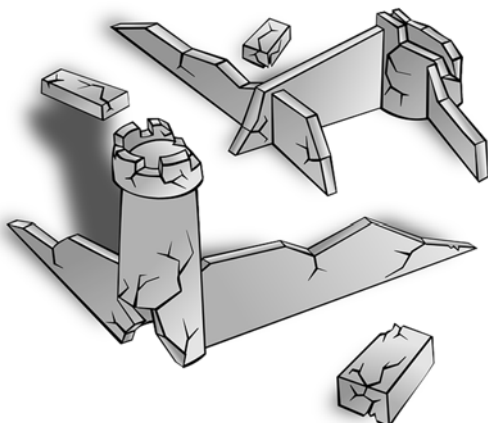




Name _____

Ancient Ruins Word Search

R Y T H Z S Z T C I Z M Q B F L K L Y D
 P V S Q V P B G T N P X A U E R E W R D
 K V N W G K D T T S B K D D A A Z D A X
 Y H Y R Y L F D F C Z R M L W I U H A D
 Q T O H N C V A W R P M L X B Q D G X J
 F S X B Q C F E C I H I E B I W Z W M H
 J R U W V X P Q R P P E D E S T A L H Y
 A I P K L B H G P T C X L C I Z T O V U
 G P X F E W X G M I O C J X Z C M A K X
 F B Z O R A M P H O R A X V A O R P X E
 X P M R U I N S W N S V H F R L C U J C
 K T W M E S E X R K G A I C C O C A E C
 Y P H D J L T F P G R T I A H N R C N P
 X R R I N M I F E M R I W C A N M A D H
 J V C F R E S C O A W O K J E A X R U R
 Z I E E Q U R S H R I N E M O D U E U J
 K K S Q Q U C L Q J U Q Y G L E L P D G
 S P X C C I T A D E L M A R O Z J I O R
 E A F Y M Z K R D U T D P J G B P S G Y
 F F N F B P X H K S T G H F Y K G Q E R



Archaeology
 Excavation
 Fresco
 Amphora
 Relic

Mosaic
 Citadel
 Artifact
 Pillar
 Forum

Shrine
 Ruins
 Pedestal
 Inscription
 Colonnade